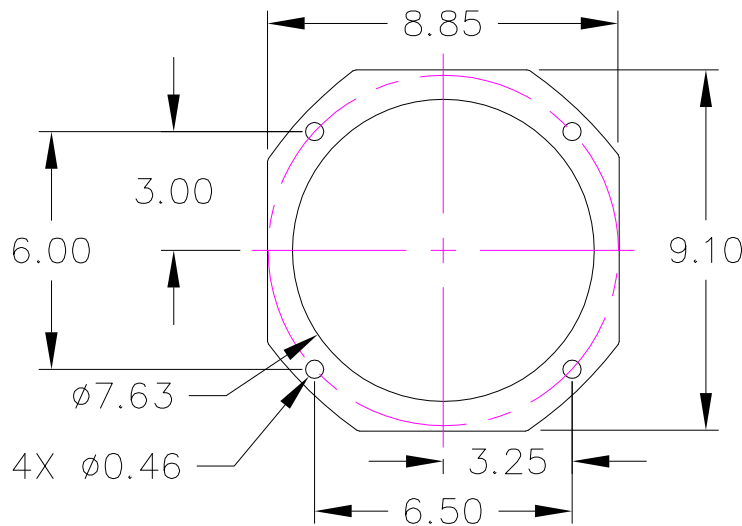


IMPORTANT: MOTOR MUST BE SUPPORTED AT INSTALL

SPECIFICATIONS:

Power: 208-230/460 3Ph 60Hz  
 Amps: 12-11.8/5.9  
 (Custom Voltages Available)  
 Blower: 98 lbs  
 Filter: 10 lbs  
 CFM@ 0"(No Filter): 2000



DIMENSIONS MAY VARY DUE TO CASTING INCONSISTANCIES

Filter Options:  
 Pleated Paper 99.97% @ 2 Micron w/ Prefilter  
 Metal Mesh 60% @ AC Fine Dust  
 No filter (W/O)  
 Pre-filter Wrap Available

		888 Sussex Blvd. Broomall PA 19008		REV
		610-251-0933 fax 610-251-0948		
date: 10/3/23		Size: A	Scale: NTS	Model: Electra-Kool™ Model 2000
drawn by: GRM		dwg name: Electra-Kool 2000		sheet#